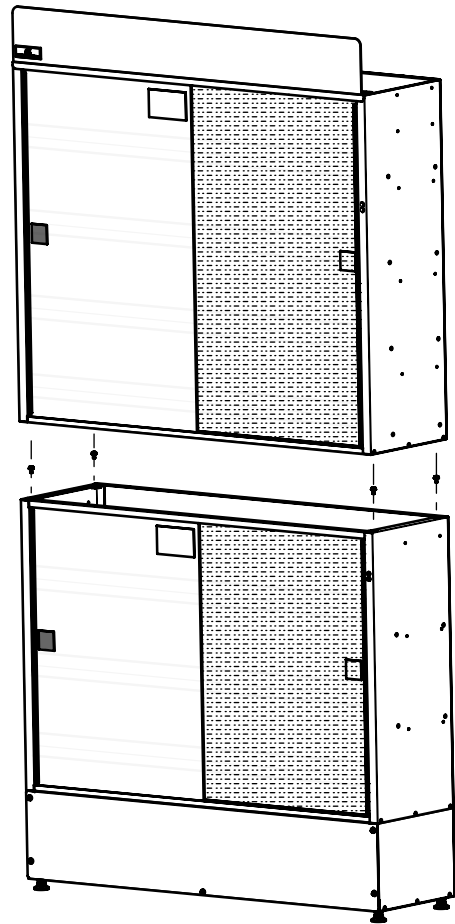
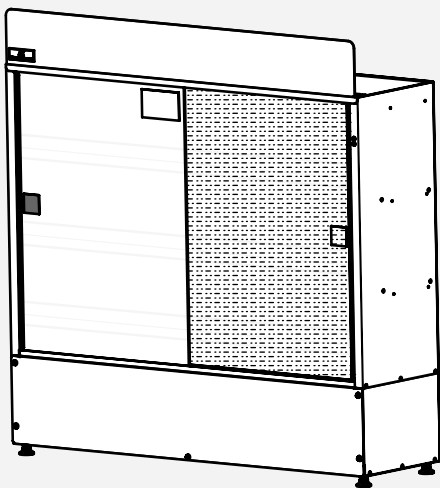
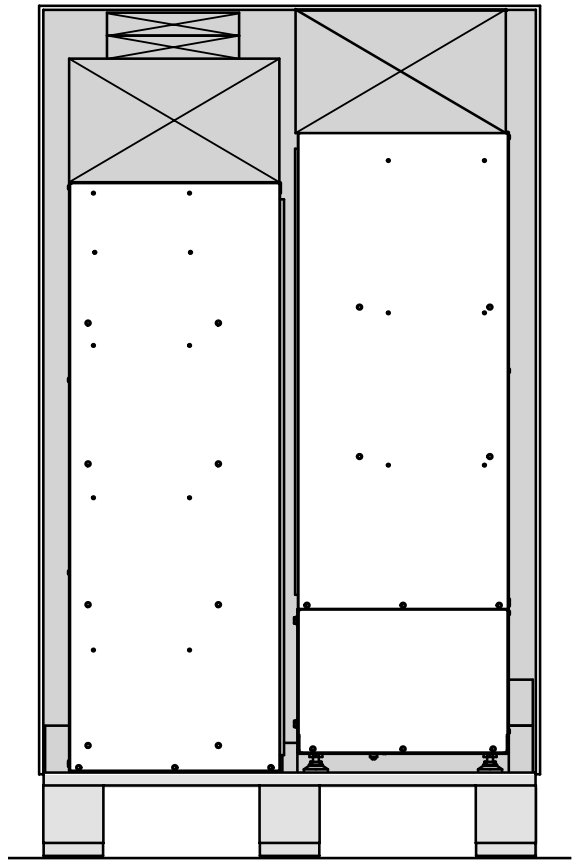
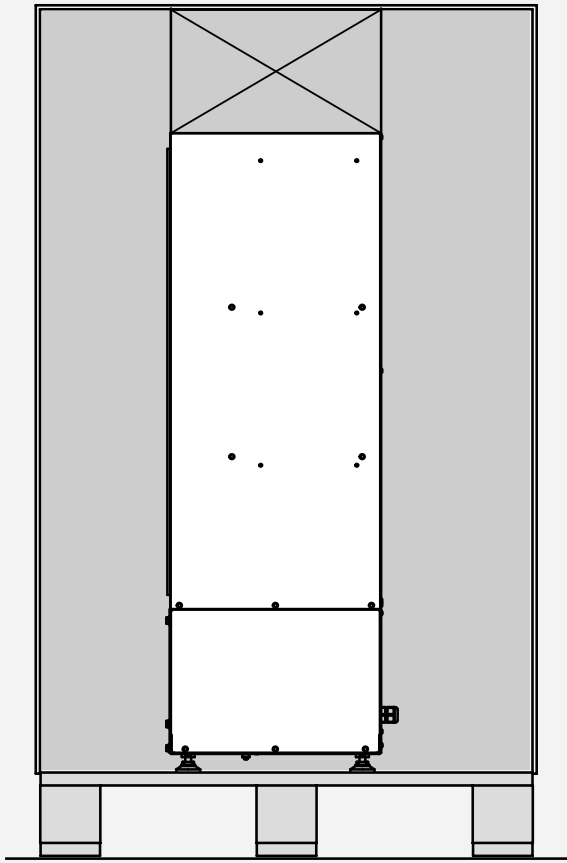
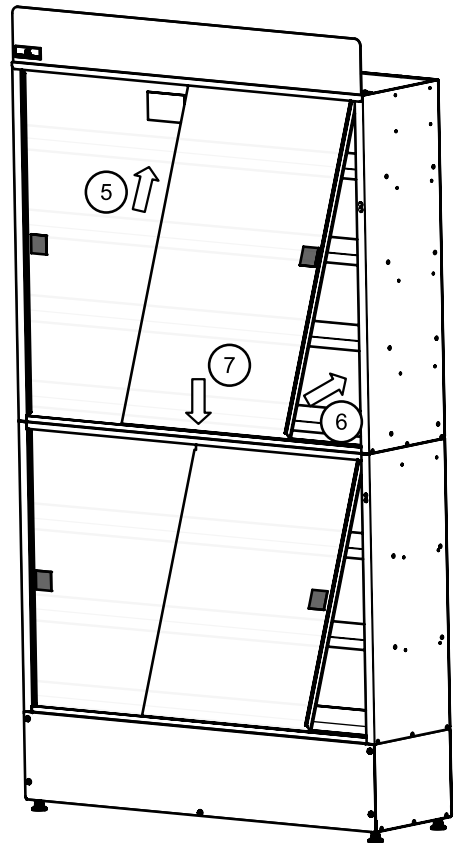
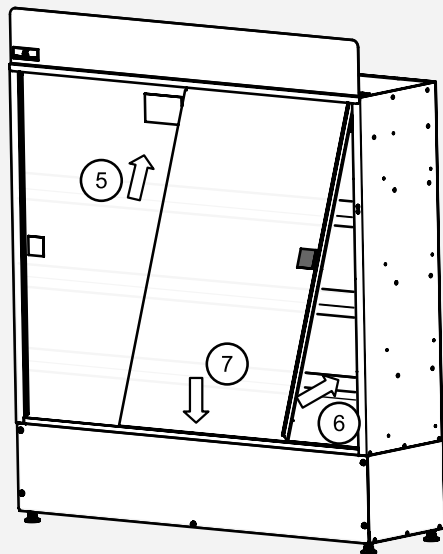
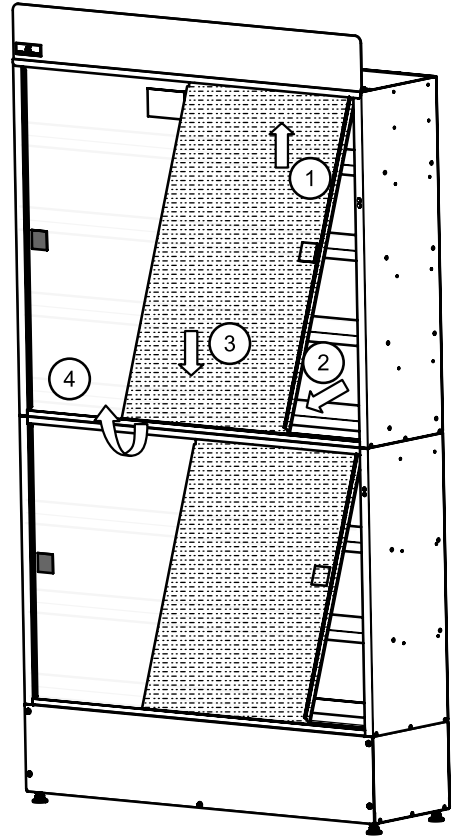
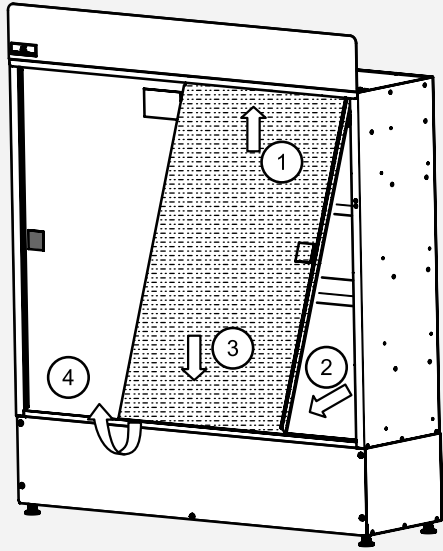


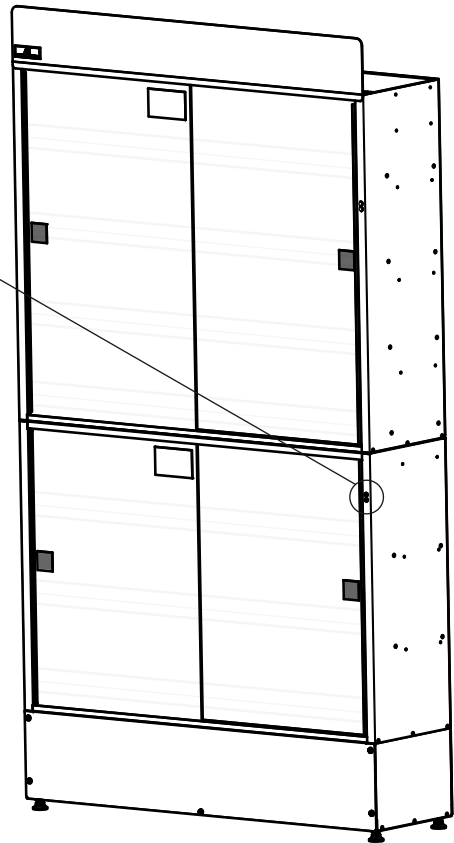
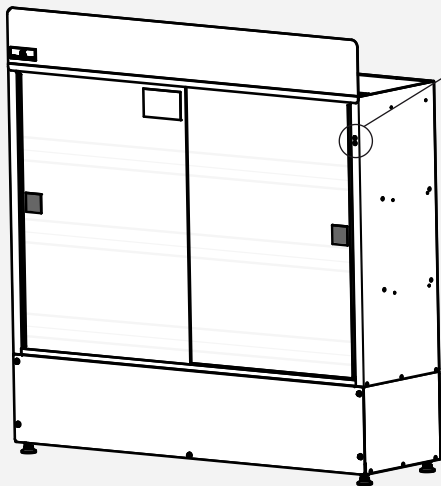
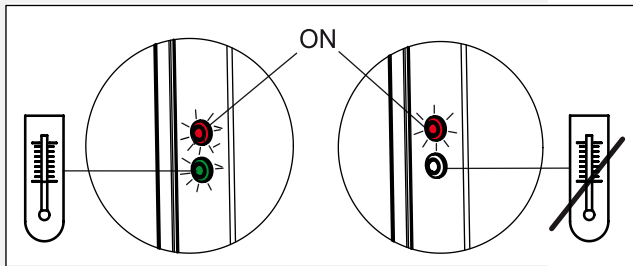
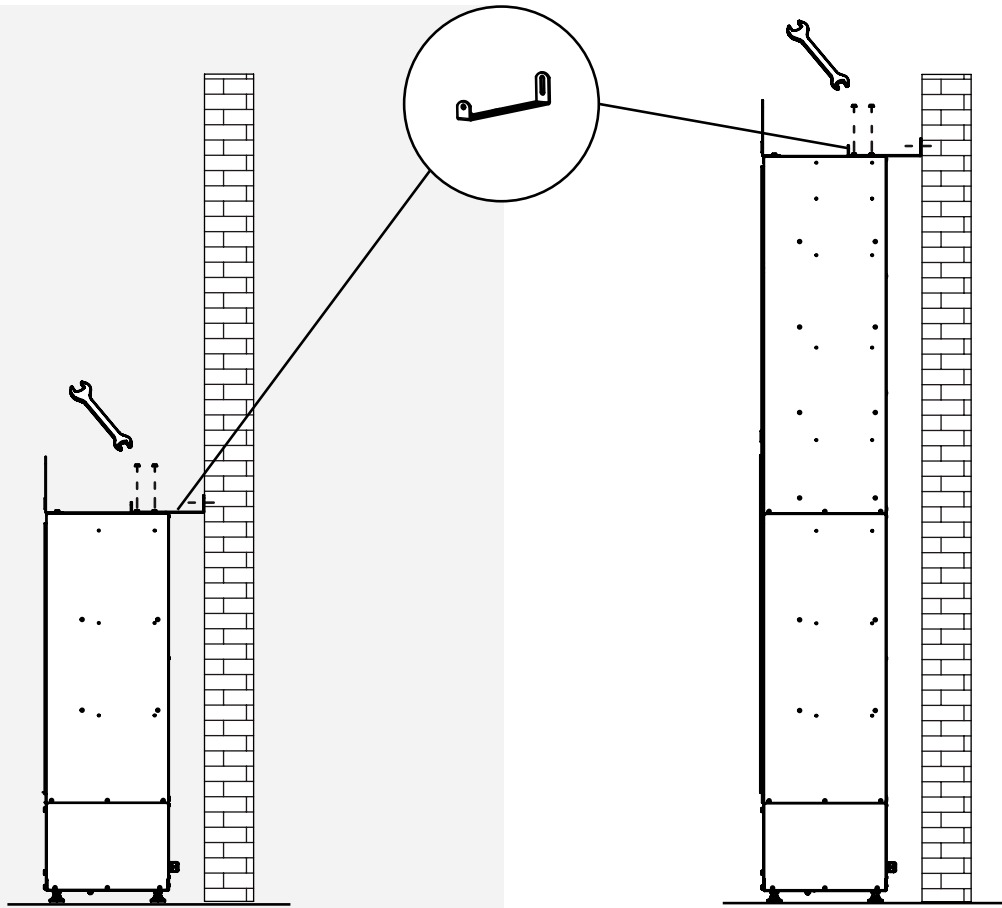
AQUASTORE

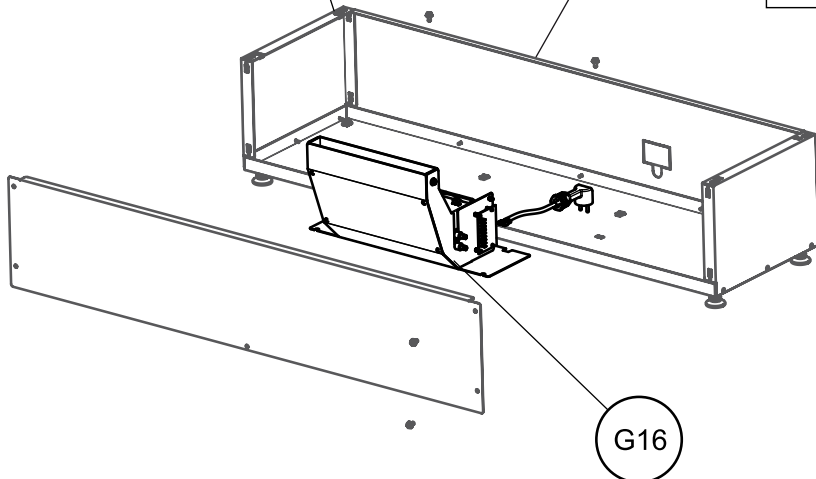
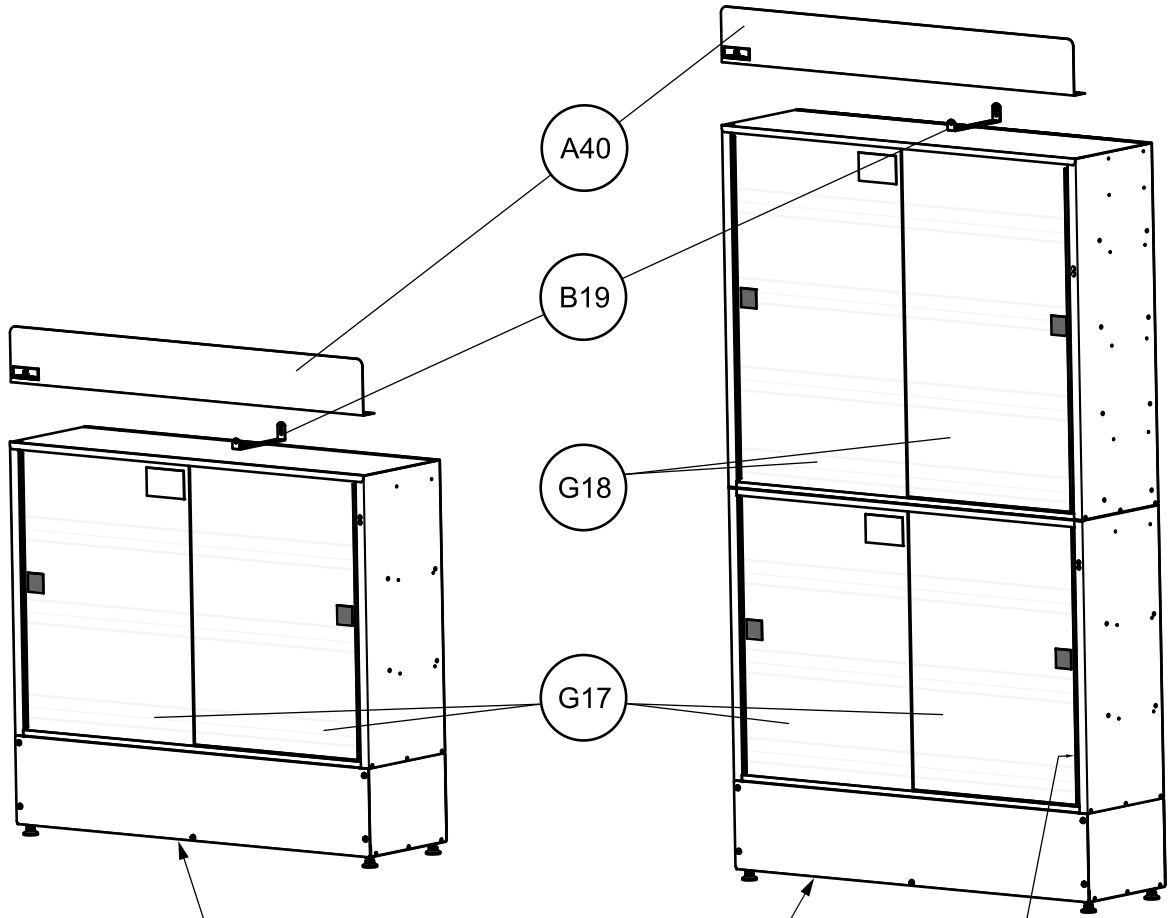
E09550A











Fillon Technologies	
28210 FAVEROLLES FRANCE	
REF.	
NO.	TYPE
P (W)	U (V) I (A)