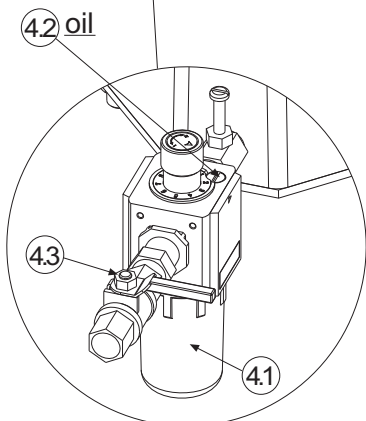
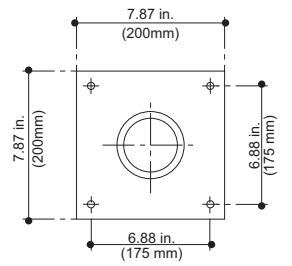
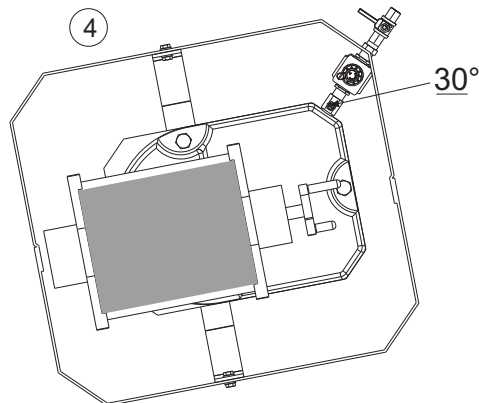
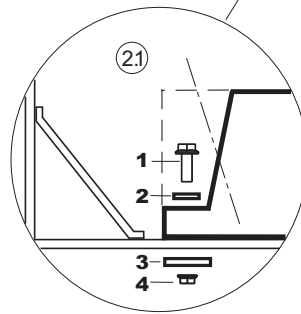
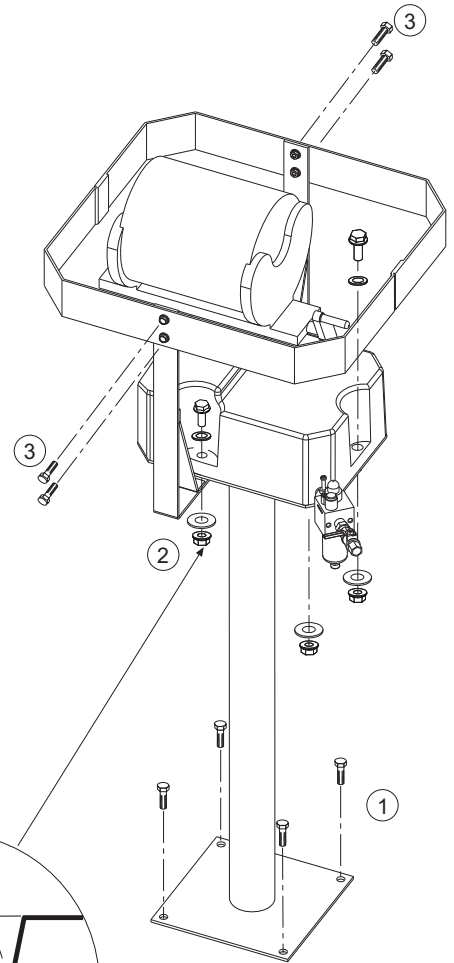
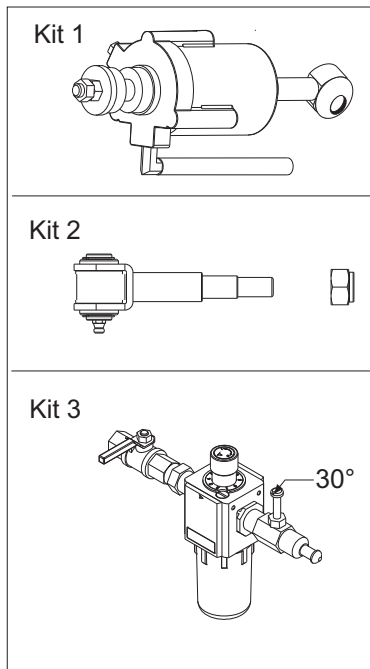
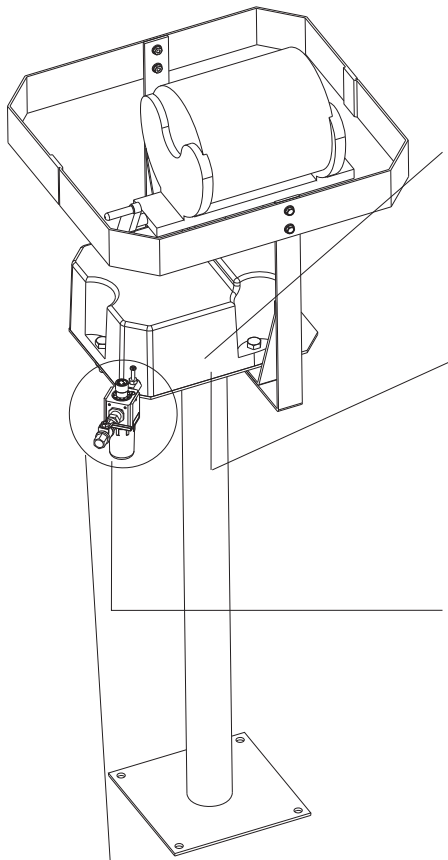


PROSHAKER

E00490D



USER MANUAL PROSHAKER

For professional use only

I - IMPORTANT

Read and follow these instructions carefully to ensure proper operation of your New Paint Shaker. The limited warranty does not cover damage caused by incorrect pressure, neglect, abuse, or lack of lubrication.

II WARNING

1. DO NOT USE THIS MACHINE in damp or poorly lit conditions.
 2. KEEP CHILDREN AWAY. Children must never be allowed in the work area.
 3. STORE IDLE EQUIPMENT. When not in use, this tool must be locked up in a dry location to inhibit rust.
 4. DO NOT PUSH THIS MACHINE beyond its specified capacity or use for a purpose for which it is not intended.
 5. DRESS APPROPRIATELY. Do not wear loose clothing or jewelry. Long hair must be attached and non-hanging.
 6. USE LOCALLY APPROVED PROTECTION EQUIPMENT. Always use chemical splash impact goggles and respirator adapted to the type of paint being used.
 7. DO NOT REACH OVER OR ACROSS RUNNING MACHINES.
 8. NEVER UNPLUG THIS MACHINE by pulling on the power cord from a distance. Always use the back side of the plug which is intended for this purpose.
 9. ALWAYS RESPECT THIS MACHINE MAINTENANCE PLAN indicated in section V.
 10. REMOVE ALL ADJUSTING KEYS AND WRENCHES FROM THE MACHINE or machine work surface before starting or attaching the air line.
 11. AVOID UNINTENTIONAL STARTING.
 12. STAY ALERT do not operate this machine if you are tired or under the influence of alcohol or drugs. Read warning labels on prescriptions to determine if your judgment or reflexes are impaired while taking medication, if there is a doubt, do not operate the machine.
 13. CHECK DAMAGED PARTS carefully to determine that it will perform its intended function. Verify the alignment and binding of moving parts. Damaged parts should be repaired or replaced by a qualified technician.
 14. USE ONLY accessories and replacement parts intended for use with this machine. Use of any other parts will void the warranty. Replacement parts are available from FILLON TECHNOLOGIES.
 15. DRAIN THE COMPRESSOR EVERY DAY. Do not allow moisture to build up inside of the compressor. Do not allow compressor to sit pressurized for longer than one hour.
 16. MAKE SURE ALL THE EQUIPMENT IS RATED TO THE APPROPRIATE CAPACITY. Make sure that regulator is set at least 100 PSI (7 bars) lower than the lowest rated piece of equipment you are using.
 17. MAKE SURE THE LID IS SECURELY CLOSED before positioning can on the PROSHAKER.
- NEVER USE SILICON OILS OR GREASES IN PAINT SHOP !**
- DO NOT OPERATE ON COMPRESSED NITROGEN OR OTHER INERT GASES WITHOUT POSITIVE VENTILATION IN THE WORK AREA !

III - INSTALLATION

- 1-Bolt pedestal securely to the floor. 4 provided screws and bolts with expansion to a concrete floor fig.1
- 2- Screw the PROSHAKER and the brackets on the pedestal fig.2 and fig.2.1 and mount the protection belt and its brackets fig.3

-Make sure all bolts are secure.

- 3- Mount air lubricator fig.4 to the PROSHAKER using a flexible air pipe of 1.20m length maximum, according to the pressure of utilisation. If the air feed system is over loaded with water or dirty, it is recommended to install a separator filter. Make sure that the air lubricator is mounted in the right direction (air flow in the direction of the arrow). All air connections have to be equipped with a sealing gasket. The seal must be securely fitted, then screw down the tank again manually.
- 4- Unscrew the tank manually and fill it with oil to 3/4 full. The device is equipped with an air lubricator with tank which must be filled to 3/4 full with oil before starting. The upper part of the (clear plastic) may be damaged by certain solvents or synthetic oils. Use oil which is recommended for pneumatic tools, with low viscosity classified 150VG15 or level 2 at 122°F (50°C) on the Engler viscosity table.
- 5- Connect your PROSHAKER to the air inlet 70 to 120 PSI (5 to 8 bars) if air input is superior to 120 PSI (8 bars) add a reducing valve upstream of air pipe.

IV - OPERATION

After filling the tank and connecting the air source to the PROSHAKER, put in one (1) drop of lubricating oil, by turning the screw fig.4.2 counter-clockwise (shaker running). Do this for each usage. CLAMP can firmly, but avoid crushing can. Tighten cans and aerosol with lids towards clamp handle. Clamp square gallons lid up, long sides against clamp jaws, corners resting on jaw cradles. Tighten square gallons securely with can straight up. WATCH SQUARE GALLONS AND AEROSOL CANS WHILE SHAKING to make sure they don't leak or come loose. DO NOT SHAKE AEROSOLS FOR MORE THAN ONE (1) MINUTE. DO NOT SHAKE AEROSOLS IF CAN TEMPERATURE IS OVER 104°F (40°C). START AND STOP shaker by opening and closing control valve fig. 4.3 quickly, about 1/4 turn. If shaker stops exactly at center position or is not getting enough oil, it may not start automatically. Pull can clamp quickly to one side and let go to start or close control valve, cock can clamp to one side and re-start.

NOTE :

DO NOT FORCE the adjustment knob or screw. It stops when fully open or closed.
CHECK OIL LEVEL once a week; Unscrew lubricator bowl and dump watery/milky oil out. Refill to level mark with air tool oil and carefully reinstall. Make sure bowl gasket ring is in place and screw bowl on straight.
Recommended Shake Time : 2 minutes more for severely settled products or low air pressure.

V MAINTENANCE

Before starting any maintenance operations make sure that the PROSHAKER is disconnected.
If the shaking angle is incorrect (difference of about 30°) regulate it with the adjusting screw.
Lubrication of mechanical parts.
Every three (3) months (more often in severe service, dusty atmosphere) lubricate clamps adjusting screw manually and the two lubricators with a grease pump. The cap lubricator is under the housing and the adjusting clamps have to be pushed to the left, in order to see through the air hole.
Periodical visual control of air pipes and their fittings. They have to be changed in case of deterioration.
Check the air lubricator tank oil level. Fill it to 3/4 full if necessary.
Periodical control of the whole installation, to make sure that it is securely anchored.

VI- SPECIFICATIONS

Air Pressure : 70 to 120 PSI (5 to 8 bars). When Line pressure is over 120PSI (8 bars) add a reducing valve upstream of air pipe.
Air Consumption : Approximately 4.3 CFM(7m³/h) free air with 4 liter can (0.88 gal.) at 30° shake angle. **Speed :** Up to 700 cycles/minute at 30° shake angle. Adjustable at control valve, automatically compensates for can size.
Shake Angle : If operating at over 120 PSI (6 bars) pressure, adjust shake angle to 30° with full gallon(4 liter) can.
Capacity : 0.5 L through 5 liter round cans, including gallons, most aerosols (with caps) and square cans. Up to 15.45 lbs. (7 kg) gross can weight.
Recommended Oil : use oil which is especially recommended for pneumatic tools, with low viscosity classified ISO VG15 or level 2 at 50°C on the Engler viscosity table. Do not use motor oil.
Grease : Multipurpose calcium or lithium-based chassis grease.
Weight : Shaker, 9 kg(19.84 lbs.); Pedestal 4,5 kg(9.92 lbs.)

VII TROUBLESHOOTING

- 1°) EXCESSIVE VIBRATION:
 - Can over 7 kg (15.4 lbs.), or catalyzed solid
 - readjust shake angle (too large)
- 2°) RUNS TOO SLOW OR STOPS :
 - Starved for oil, or fouled with motor oil
 - Air pressure low
 - Air supply restricted
 - Inlet Fitting or Control Valve blocked
 - Your network Final filter element clogged
 - Relief valve stuck open
 - Valve discs dirty
 - Or piston seals damaged
- 3°) HARD STARTING
 - Not enough air oil, improper oil
 - Angle adjusting screw turned in too far
 - Shaker turned off too slowly, dead centering
 - Broken wear ring / bad piston seal (oil starvation)
 - Air contamination (residue, excess winter)
- 4°) LUBRICATOR WON'T WORK :
 - Out of oil
 - Clogged drip passage (remove bowl and blow air through tube)
 - Excess vibration preventing drip visibility
 - Air leak in oiler body or bowl
 - Missing bowl gasket or fill screw "0" ring
 - Knob turned closed
 - Bowl threads damaged
 - Installed backwards
- 5°) NOISY OPERATION
 - Can Clamp loose
 - Can lids flexing
 - Bad bearing
 - Damaged/broken parts
 - Bottom of shaker housing open to room
- 6°) USES AIR EXCESSIVELY:
 - Shake angle too large
 - Relief valve stuck or broken
 - Bad piston seal or rod seal (oil starvation)
- 7°) LEAKS OIL :
 - Housing not sealed to pedestal. Reseal, apply sealant all around bolt holes.
 - More than one drop of oil for each use.

to order spare part :
Mention all the information provided on the manufacturer's identification plate, the part item number given on the manual, and the quantity.

 FILLON PICHON	
BEIJING FILLON PICHON PR CHINA	
REF.	
NO.	TYPE
W	Lmax