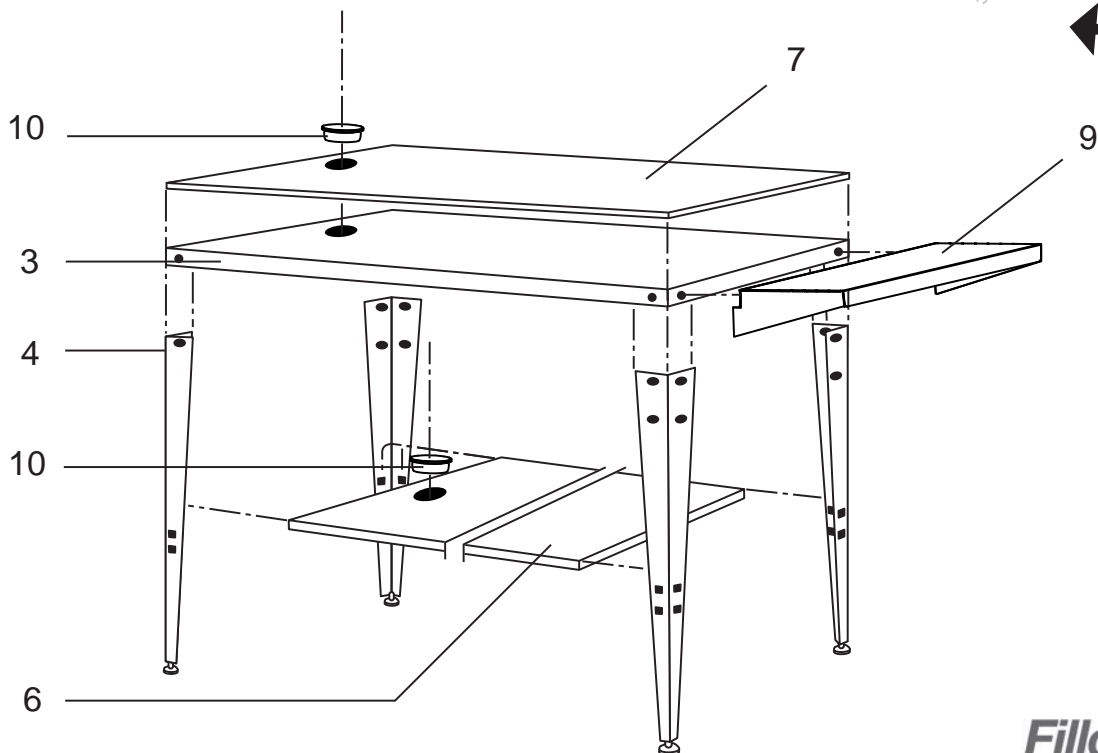
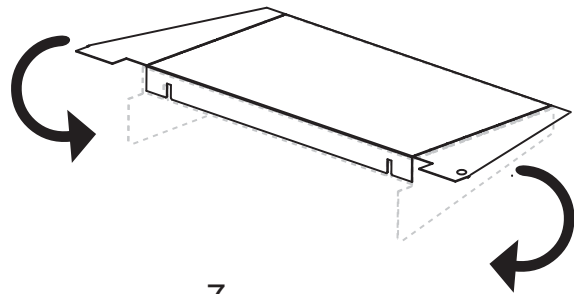
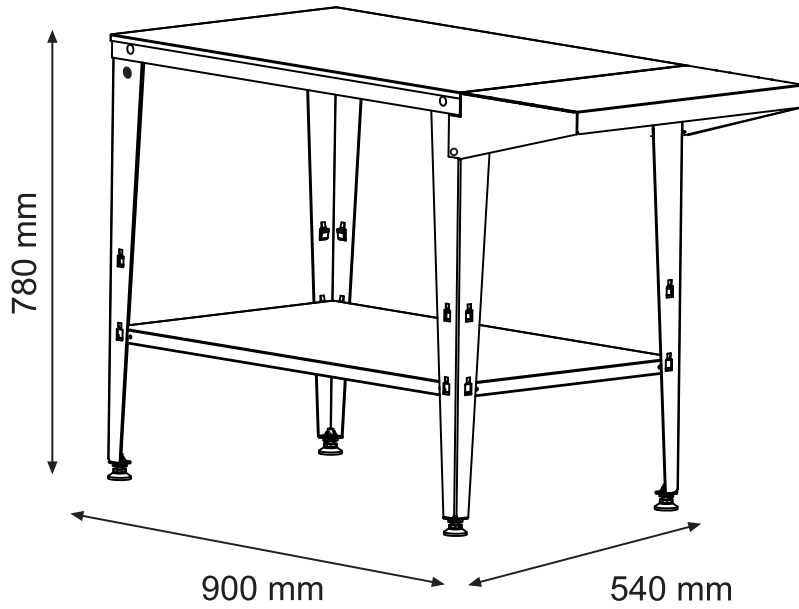


# TB STANDARD



E09590A - TB STANDARD